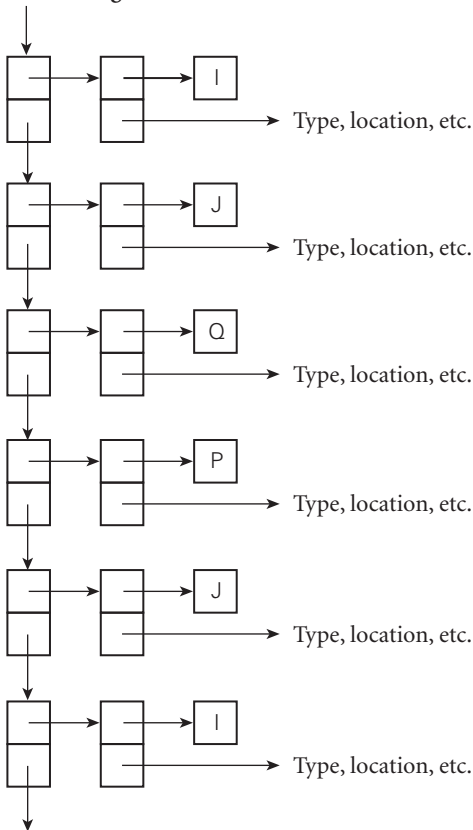


Referencing environment A-list



I, J : integer

procedure P (I : integer)

...

Procedure Q

J : integer

...

P (J)

...

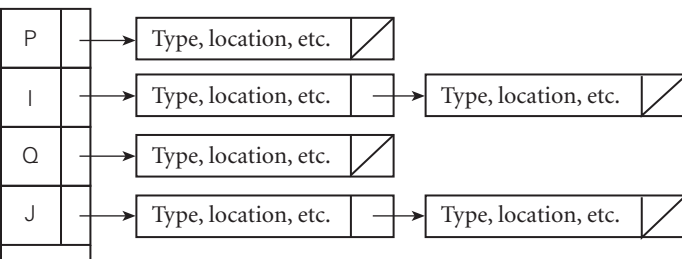
-- main program

...

Q

(predefined names)

Central reference table



(other names)