

Link Layer Multiple Access Protocols

Dept. of Computer Science, University of Rochester

9/17/2007

CSC 257/457 - Fall 2007

1

Recap of Last Class

Link layer

- handle data transfer between neighboring network elements

Link layer services:

- Encoding**
 - encode binary data into electromagnetic signals
- Framing**
 - encapsulate data into frame, adding header, trailer
- Error detection and correction**
 - receiver identifies and corrects bit error(s)

application

transport

network

link

physical

9/17/2007

CSC 257/457 - Fall 2007

2

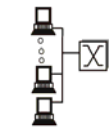
Multiple Access Links

Two types of "links":

- point-to-point and shared wire or medium

Multiple access link:

- single shared broadcast channel
- two or more simultaneous transmissions by nodes \Rightarrow **interference**
 - only one node can send successfully at a time



shared wire
(e.g. Ethernet)



shared wireless
(e.g. Wavelan)



satellite



cocktail party

9/17/2007

CSC 257/457 - Fall 2007

3

Multiple Access Protocol

Multiple access protocol:

- distributed algorithm that determines how nodes share channel, i.e., determine when node can transmit
- communication about channel sharing must use channel itself!

Ideal multiple access protocol:

For a multiple access channel of rate R bps

- When one node wants to transmit, it can send at rate R .
- When M nodes want to transmit, each can send at average rate R/M .
- Fully decentralized:
 - no special node to coordinate transmissions
 - no synchronized clocks \Rightarrow **fault-tolerant/robust**

9/17/2007

CSC 257/457 - Fall 2007

4

Types of Multiple Access Protocols

Three broad classes:

- **Channel partitioning**
 - divide channel into smaller "pieces" (time slots, frequency, code)
 - allocate piece to node for exclusive use
- **Random access**
 - channel not divided, allow collisions
 - "recover" from collisions
- **Centrally controlled/coordinated**
 - tightly coordinate shared access to avoid collisions

9/17/2007

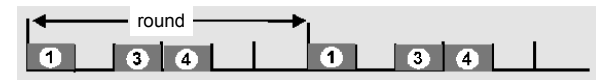
CSC 257/457 - Fall 2007

5

Channel Partitioning MAC protocols: TDMA

TDMA: time division multiple access

- access to channel in "rounds"
- each station gets fixed length slot (length = pkt trans time) in each round
- unused slots go idle
- example: 6-station LAN, 1,3,4 have pkt, slots 2,5,6 idle



9/17/2007

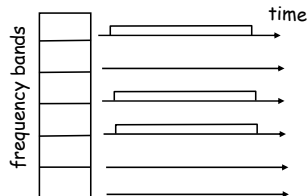
CSC 257/457 - Fall 2007

6

Channel Partitioning MAC protocols: FDMA

FDMA: frequency division multiple access

- channel spectrum divided into frequency bands
- each station assigned fixed frequency band
- unused transmission time in frequency bands go idle
- example: 6-station LAN, 1,3,4 have pkt, frequency bands 2,5,6 idle



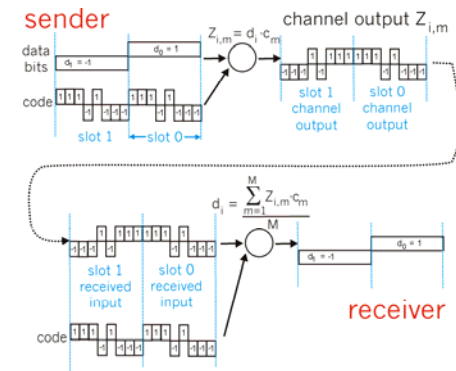
9/17/2007

CSC 257/457 - Fall 2007

7

Channel Partitioning MAC protocols: C (code) DMA

- use coding to allow multiple simultaneous transmission without interference
- each user has its unique code
 - **encoded signal:** (original data) X (code)
 - **decoding:** (encoded signal) X (code)
- inner product
 - all codes consist of 1, -1 bits
 - any bit sequence multiplying itself becomes 1



9/17/2007

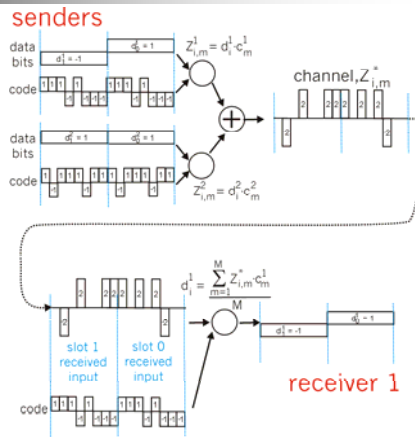
CSC 257/457 - Fall 2007

8

CDMA: Two-sender Interference

- allows multiple users to transmit simultaneously (if codex X codey = 0).
- combined signal is "data X codex + datay X codey"

What is really good about it compared to TDMA?



9/17/2007

9

How Good are Channel Partitioning Protocols

Broadcast channel of rate R bps

- When all M nodes want to transmit
 - each can send at average rate R/M
- When one node wants to transmit
 - it can send at rate R/M. **Inefficient!**
- Decentralization/fault tolerance:
 - no special node to coordinate transmissions
 - synchronized clocks for all but FDMA

9/17/2007

CSC 257/457 - Fall 2007

10

Random Access Protocols

- When node has data to send
 - transmit at full channel data rate R.
 - no *a priori* coordination among nodes
- Two or more transmitting nodes → "collision",
- Random access protocol** specifies:
 - how to detect collisions
 - how to recover from collisions (e.g., via delayed retransmissions)
- Examples of random access protocols:
 - slotted ALOHA
 - ALOHA
 - CSMA, CSMA/CD

9/17/2007

CSC 257/457 - Fall 2007

11

Slotted ALOHA

Assumptions

- all frames same size
- time is divided into equal size slots, time to transmit 1 frame
- nodes start to transmit frames only at beginning of slots (nodes are synchronized!)
- if 2 or more nodes transmit in slot, all nodes detect collision

Operation

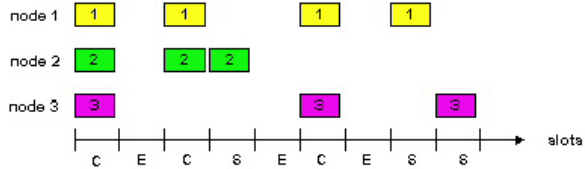
- when node obtains fresh frame, it transmits in next slot
- no collision, node can send new frame in next slot
- if collision, node retransmits frame in each subsequent slot with probability p until success
- why not retransmit right away?

9/17/2007

CSC 257/457 - Fall 2007

12

Slotted ALOHA



Pros

- single active node can continuously transmit at full rate of channel

Cons

- wasting slots (collisions, idle slots)
- require nodes to be synchronized

9/17/2007

CSC 257/457 - Fall 2007

13

Slotted Aloha Efficiency

Efficiency is the long-run fraction of successful slots when there are many nodes, each with many frames to send

- Suppose N nodes with many frames to send, each transmits in slot with probability p
- prob that one particular node has success in a slot
 - $p(1-p)^{N-1}$
- prob that some node has a success
 - $Np(1-p)^{N-1}$
- For max efficiency with N nodes, find p^* that maximizes $Np(1-p)^{N-1}$
 - find p^* for $N=1$ and $N=2$?
 - find p^* for any N ?
- For many nodes, take limit of $Np^*(1-p^*)^{N-1}$ as N goes to infinity, gives $1/e \approx .37$
 - At best:** channel used for useful transmissions 37% of time!

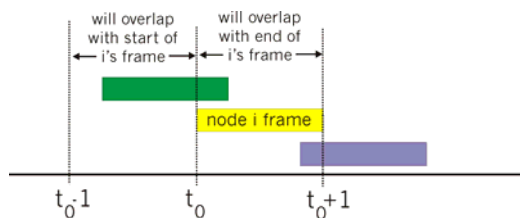
9/17/2007

CSC 257/457 - Fall 2007

14

Pure (unslotted) ALOHA

- Unslotted Aloha: no synchronization
- When frame first arrives, transmit immediately
- Collision probability increases:
 - frame sent at t_0 collides with other frames sent in $[t_0-1, t_0+1]$



9/17/2007

CSC 257/457 - Fall 2007

15

Pure Aloha Efficiency

$$\begin{aligned}
 P(\text{success by given node}) &= P(\text{node transmits}) \times \\
 &P(\text{no other node transmits in } [p_0-1, p_0]) \times \\
 &P(\text{no other node transmits in } [p_0, p_0+1]) \\
 &= p \cdot (1-p)^{N-1} \cdot (1-p)^{N-1} \\
 &= p \cdot (1-p)^{2(N-1)}
 \end{aligned}$$

choosing optimum p and then letting $n \rightarrow \infty$...
 $= 1/(2e) = .18$

Half as efficient as slotted Aloha!

9/17/2007

CSC 257/457 - Fall 2007

16

CSMA (Carrier Sense Multiple Access)

CSMA: listen before transmit:

- If channel sensed idle: transmit entire frame
- If channel sensed busy: defer transmission

- Human analogy: listen before speaking!

9/17/2007

CSC 257/457 - Fall 2007

17

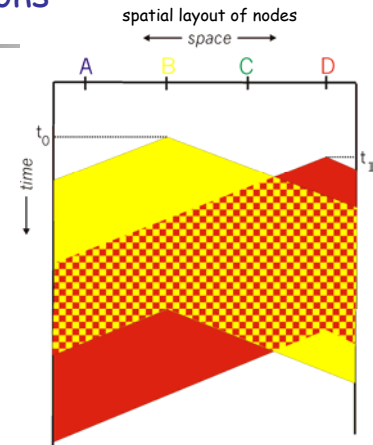
CSMA Collisions

collisions can still occur:

propagation delay means
two nodes may not hear
each other's transmission

collision:
entire packet transmission
time wasted

note:
collision probability depends on
distance & propagation speed



9/17/2007

CSC 257/457 - Fall 2007

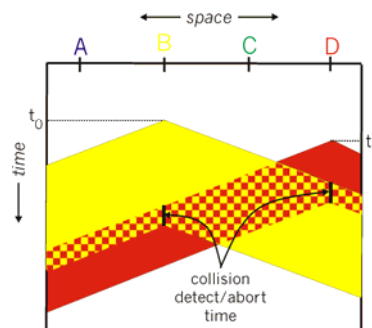
18

CSMA/CD (Collision Detection)

CSMA/CD: carrier sensing,
same as in CSMA

- collisions detected within short time
- colliding transmissions aborted, reducing channel wastage

- Human analogy: if someone else begins talking at the same time, stop talking.



9/17/2007

CSC 257/457 - Fall 2007

19

How Good are Random Access Protocols

Multiple channel of rate R bps

1. When one node wants to transmit,
 - it can send at full rate R .
2. When M nodes want to transmit,
 - each can send at average rate less than R/M . **Not ideal!**
3. Decentralization:
 - no special node to coordinate transmissions
 - no synchronized clocks except for slotted ALOHA

9/17/2007

CSC 257/457 - Fall 2007

20

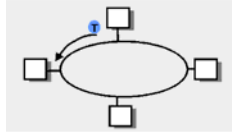
"Centrally Controlled" MAC protocols

Polling:

- master node "invites" slave nodes to transmit in turn
- concerns:
 - polling overhead (bandwidth & latency)
 - single point of failure (master)

Token passing:

- control **token** passed from one node to next sequentially.
- transmit only when holding the token
- concerns:
 - token overhead (bandwidth & latency)
 - single point of failure (token)



9/17/2007

CSC 257/457 - Fall 2007

21

Summary of MAC protocols

- Channel partitioning
 - Time Division, Frequency Division, Code Division
- Random access
 - ALOHA, S-ALOHA, CSMA, CSMA/CD
 - CSMA/CD used in Ethernet
- Centrally controlled
 - polling from a central site
 - controlled by a token

9/17/2007

CSC 257/457 - Fall 2007

22

Disclaimer

- Parts of the lecture slides contain original work of James Kurose, Larry Peterson, and Keith Ross. The slides are intended for the sole purpose of instruction of computer networks at the University of Rochester. All copyrighted materials belong to their original owner(s).

9/17/2007

CSC 257/457 - Fall 2007

23